

ANETS

O BFF 24 x 24 B
O BFF 24 x 36 B



BAKERY FRYER

O — DESIGN APPROVED BY N.I.S.E.
B — STAINLESS STEEL POT

NSF

Six-inch sanitary legs . . . simplify cleaning and clean-up time!

Kettle has front drain—faster, surer draining . . . quicker grease removal.

Fold-over drainboard has direct to kettle draining . . . requires less frequent cleaning, eliminates excessive grease during drain periods.

Smooth "clean" front design—no louvers to catch deposits . . . stays clean longer . . . easier to clean.

SHOWN WITH OPTIONAL SUBMERSER



Drainboard folds over kettle opening when not in use . . . provides additional protection for fat between operations.

*If it's an Anets . . .
it's performance proved.*

ANETS



BAKERY FRYER

KETTLE. 14 gauge stainless steel, 14 gauge welded seamless firing tubes have steel radiants and baffles. 2 1/2" tubes extend through pot and are electrically welded to exterior of pot with stainless rod.

DRAINBOARD. Foldover type, 14 gauge metal. Two streamlined nickel plated hinges provide positive support in open position. Available for left or right mounting.

FRONT DRAIN. Heavy-duty 1 1/2" valve — more effective draining to front...easier clearing.

GAS SNAP ACTION THERMOSTAT. Self Generating Automatic Pilot System.

All Anets Fryers include 3 screens, folding drainboard, and automatic thermostat as standard equipment.

WHEN ORDERING, PLEASE SPECIFY:

Model No. BTU and Type of Gas
Type of Pot Right or Left Drainboard

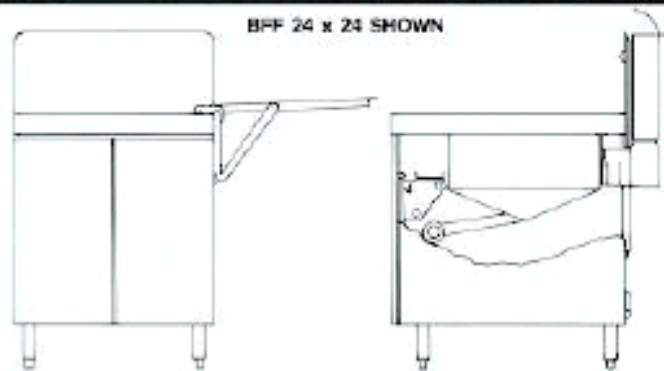
SPECIAL FEATURES AND OPTIONS

SUBMERGERS. Submerger screen, loading frame, wood handle, and lower screen.

SCREENS. Superior quality wire screens, welded and machine-ripped. Brite nickel plated.

Owing to our policy of continuous product improvement, specifications are subject to change without notice.

CONSTRUCTION FEATURES AND SPECIFICATIONS



SERIES 24	WIDTH	WIDTH INCLUDING DRAINBOARD	OVERALL DEPTH	GAS PIPE SIZE	INSIDE KETTLE SIZE
BFF 24 x 24	31"	65"	38 1/2"	1/2"	24 x 24
BFF 24 x 34	41"	75 1/2"	38 1/2"	3/4"	24 x 34

SERIES 24	NO. OF TUBES	FAT CAPACITY	TRAY CAPACITY	MAX. BTU INPUT PER HOUR	SHIPPING WEIGHT
BFF 24 x 24	5	150 lbs.	4 1/2 Doz.	62,500	340 lbs.
BFF 24 x 34	7	250 lbs.	8 Doz.	101,000	420 lbs.

Model No. 422 Rev. 7/86

Due to Anets' policy of continuous product improvement, specifications are subject to change without notice.

Printed in U.S.A.

ANETSBERGER BROTHERS, INC. • 180 N. Anets Drive • Northbrook, IL 60062
Sales/Service: (847) 272-0771 • Fax (847) 272-1943 • Corporate (847) 272-0770