



ANETS

**MDR-6-SMB
MDR-6-SM**



FOR THE GROWING BAKER

MULTI-PURPOSE

**TWO PASS
SHEETER-
MOULDER**

Pre-sheets without tearing: rich Danish doughs, puff-paste and roll-in doughs.

Sheets and cross-grains: all types of sweet doughs, pie dough and pizza pie dough.

Three rollers with high precision ground finish. Self-locking adjustment on upper and lower rollers. Adjustment slots numbered for precision settings.

Belts neoprene impregnated for sanitation.

Moulding attachment adjustable to 29 widths. Moulds dough pieces from 3" to 24" wide, such as pan, French and rye breads. Tapered ends if desired.

Rapid change from one product to another.

Also available without moulder attachment, Model MDR-6-SM.

FASTER OPERATION. . . LESS ADJUSTMENTS

ANETS



two pass SHEETER-MOULDER MDR-6-SMB MDR-6-SM

Construction. Framing of 3/16" steel plate. Chain drive mechanism fully enclosed. Welded 16 gauge steel cabinet. White powder coated finish.

Rollers. Three rollers, each 20" long x 4-3/8" in diameter. Cylindrically ground for a precision finish.

Scrapers. Perfectly aligned to swing with rollers in all positions.

Safety Dough Chute and Roller Cover.

Pusher Bar. Jam Proof for sticky dough.

Infeed Belt. Conveyor belt 18" wide x 32" long.

Moulding Belt. Endless neoprene impregnated for sanitation. 24" wide x 60" long.

Drag Chain. 18" wide x 17" long. Woven wire.

Safety Interlock Switch. Automatically shuts off machine when discharge table is lifted or roller cover is removed.

Motor and Switch. 1/2 H.P., 115/230 Volt A.C., 60 Cycle, 1 Phase. Three wire 8 ft. cord and safety plug.

Variable Speeds. Conveyor moulding belt, 17.4' to 47.8' per minute.

Moulding Attachment. Size 28" long x 24" wide.

Shipping Weight (approx.):

MDR-6-SMB...320 lbs. MDR-6-SM...365 lbs.

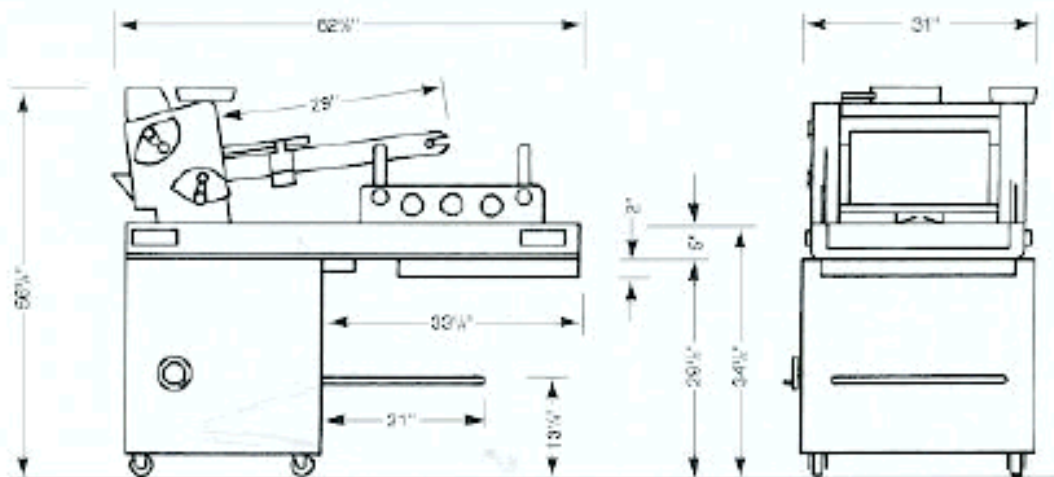
MDR-6-SMB

Two Pass Sheeter-Moulder with one set of loaf and roll sizing plates and one set of loaf and roll taper dough formers. Variable pressure board and drag chain.

MDR-6-SM

Two Pass Sheeter-Moulder same specifications as above loaf moulding equipment.

CONSTRUCTION FEATURES AND SPECIFICATIONS



ANETSBERGER BROTHERS, INC. • 180 N. Anets Drive • Northbrook, IL 60062
Sales/Service: (847) 272-0771 • Fax (847) 272-1943 • Corporate (847) 272-0770

BULLETIN #503-Rev. 12/97