

Item No.

Double Your Broiler Production With The Anets Over-Under Broiler

Save up to 50% in fuel costs using one set of burners for two broiling operations, char-broil on upper grid section, infra-red broil on roll-out lower grid section. Each grid can be adjusted to five different broiling levels. Control flare-ups with the Anets Flame-Flare Control. Flame-Flare Control provides a controlled, uniform supply of fresh heated air above each burner and across the entire broiling area to minimize flare-up and assure proper broiling of food.

STANDARD FEATURES

- Save on energy costs and space. One set of burners, two broiling operations
- Both cooking surfaces are engineered for high temperature, heavy duty broiling
- Char-broil using stainless steel radiants on upper section
- Infra-red broil using ceramic radiants on lower roll-out section
- Sturdy roll out drawer has heavy-duty ball bearings
- Grid sections have 5 broiling levels to adjust for type and thickness of food
- Blower fan has On/Off switch and hi/low setting
- Removable grates are all welded steel construction
- Grates are available in wide or narrow spacings
- Grease drawer removes for easy disposal and clean up



A N E T S
GoldenGRILL™



Anets Over-Under Broiler

Model BR-34



SPECIFICATIONS

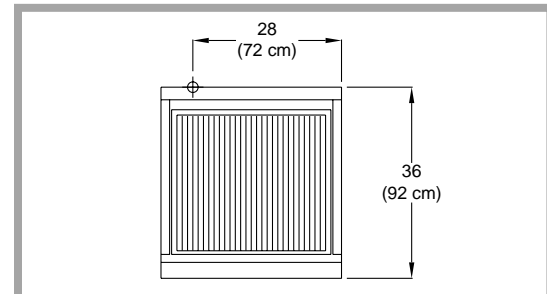
- | | |
|---------------------------|--|
| ■ Model | BR-34 |
| ■ Certification | ETL, NSF |
| ■ BTUH | 120,000 |
| ■ Gas Pressure | NG 3.5" WC, LP 10" WC
Pressure regulator included |
| ■ Gas Inlet | 3/4" NPT |
| ■ Electrical Requirements | 120 volts, 7 amps, 60 cycle, single phase |
| ■ Grid Dimensions (O x W) | Upper: 22" x 28" (59cm x 71 cm)
Lower: 25" X 24 1/2" (64cm x 62 cm) |
| ■ Radiants | Upper: Stainless steel
Lower: Ceramic |
| ■ Burners | (4) Cast Iron |
| ■ Exterior | Stainless steel front and sides |
| ■ Shipping weight | 830 lbs. |

STANDARD ACCESSORIES

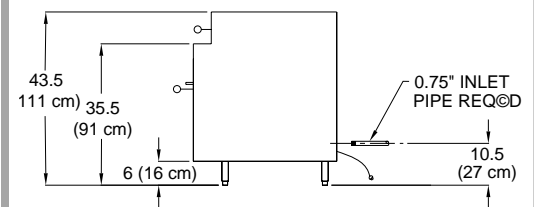
- 6" Adjustable chrome plated legs
- Pressure regulator
- Grates, choice of wide or narrow

OPTIONS AND ACCESSORIES

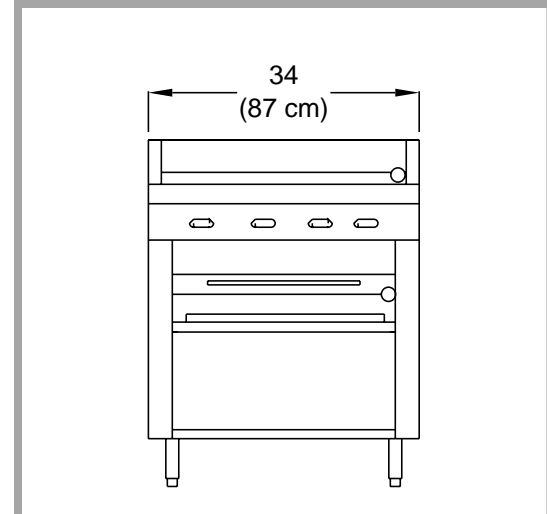
- Casters



Top View



Side View



Front View

Specifications subject to change without notice.
SS# 801 Revised 10/01
Printed in the U.S.A.



Anetsberger Brothers, Inc. ■ Foodservice Equipment That Turns Food Into Gold
180 North Anets Drive ■ Northbrook, Illinois 60062
1-800-837-2638 ■ Fax 847-272-1943 ■ www.anetsberger.com